



Docking Drawer®

Style Drawer Blade Duo Spec Sheets

Style Drawer 24 Blade Duo. . 3

Part Numbers

Finishes

Features

Outlet Specifications

Cabinet Specifications

In-Drawer Outlet Dimensions

Cutout Template

Electrical Planning Guide

Style Drawer 21 Blade Duo. . 15

Part Numbers

Finishes

Features

Outlet Specifications

Cabinet Specifications

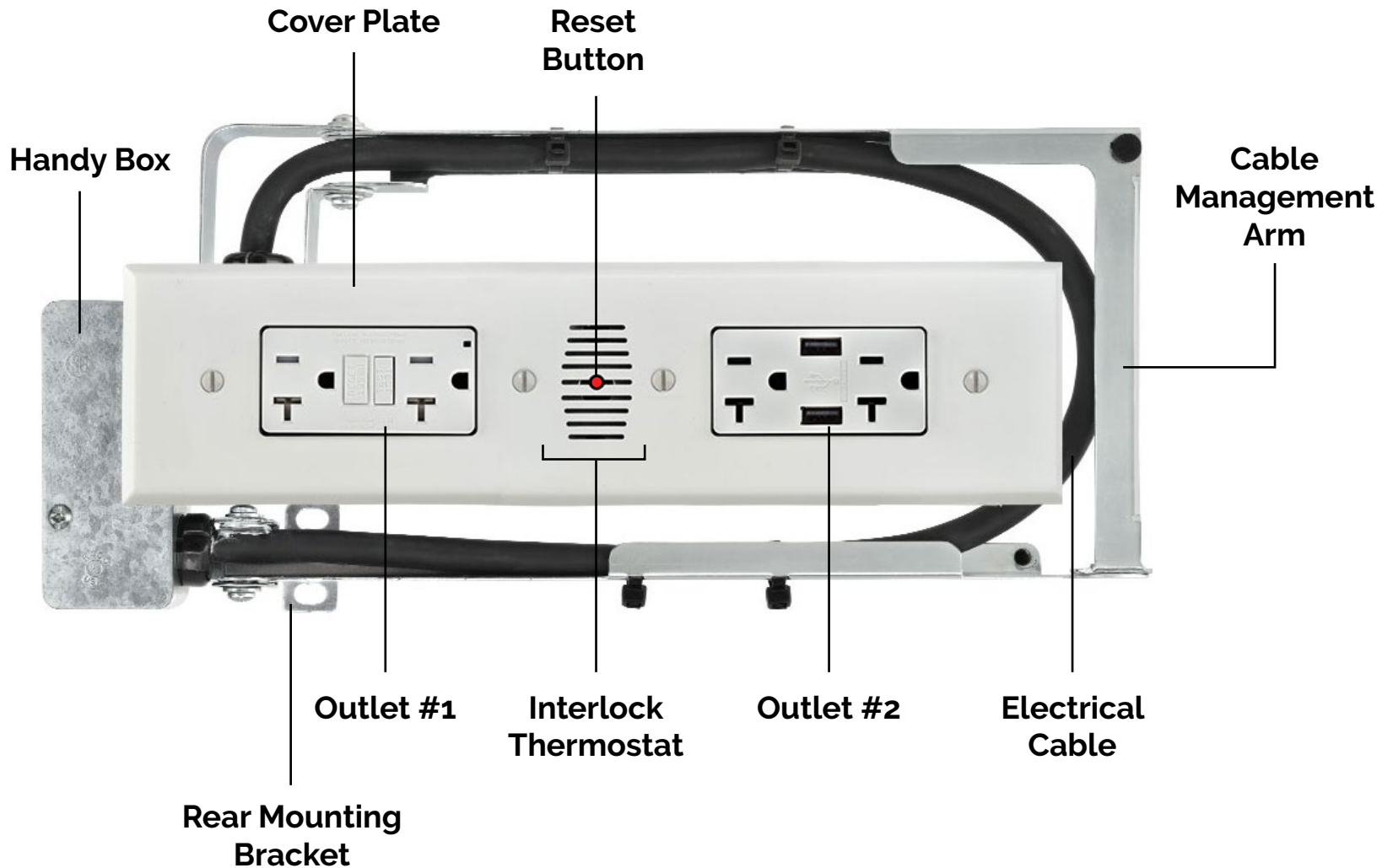
In-Drawer Outlet Dimensions

Cutout Template

Electrical Planning Guide

Style Drawer Blade Duo

Anatomy of a Style Drawer Blade Duo



Style Drawer 24 Blade Duo

part #: 0290-20324



Style Drawer 24 Blade Duo

Understanding Docking Drawer Part Numbers

0290-20324W-U



Outlet Size Finish Configuration

1 Outlet Size

20324 - Style Drawer
24 Blade Duo

20321 - Style Drawer
21 Blade Duo

2 Finish

- Black

W - White

S - Stainless Steel

3 Configuration

- 2 AC - GFCI, 2 AC & 2 USB-A

U - 4 AC & 4 USB-A

UC - 2 AC - GFCI, 2 AC & 2 USB-C

I - 2 AC - GFCI, 2 AC & 2 USB-A with Interlock Box

UI - 4 AC & 4 USB-A with Interlock Box

UC-I - 2 AC - GFCI, 2 AC & 2 USB-C with Interlock Box

Style Drawer 24 Blade Duo Part Numbers



2 AC - GFCI, 2 AC & 2 USB-A

0290-20324

2 AC - GFCI 2 AC & 2 USB-A with Interlock Box

0290-20324-I



4 AC & 4 USB-A

0290-20324-U

4 AC & 4 USB-A with Interlock Box

0290-20324-UI



2 AC - GFCI, 2 AC & 2 USB-C

0290-20324-UC

2 AC - GFCI, 2 AC & 2 USB-C with Interlock Box

0290-20324-UC-I

Style Drawer 24 Blade Duo part #: 0290-20324

Available Finishes



Style Drawer 24 Blade Duo part #: 0290-20324

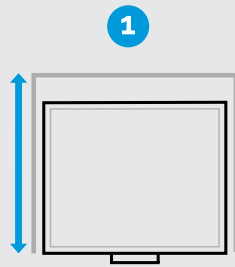
Features	
Electrical Listing	<u>ETL Listed</u> , <u>CSA Listed</u> with <u>Interlock Box</u>
Country of Use	Certified for use in the U.S., Certified for use in Canada with Interlock Box
Interlocking Safety Features	Interlock Thermostat - De-energizes outlet when the temperature exceeds 120°F (49°C) Interlock Box - Microswitch de-energizes outlet when the drawer starts to close
Electrical Connection	Hardwired
Cable Protection	Ultra flexible cable jacket and cable strain reliefs prevent tension and wear
Available Outlet Finishes	White, Black or Stainless Steel
Warranty	2 Years
Country of Origin	Made in Mexico

Outlet Specifications	
Tamper Resistant	Yes
2 AC GFCI	2 AC: 20 amps @ 120 VAC
2 AC & 2 USB-A	2AC: 20 amps @ 120 VAC USB: 3.6 amps @ 5 VDC
2 AC & 2 USB-C	2AC: 20 amps @ 120 VAC USB-C (PD Device): 3 amps @ 9 VDC USB-C (Non-PD Device): 3 amps @ 5 VDC

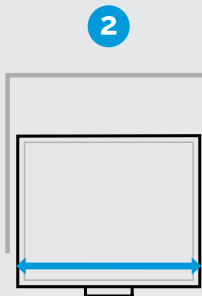
Style Drawer 24 Blade Duo part #: 0290-20324

Will it Fit in My Cabinet?

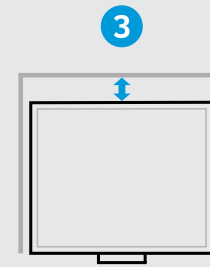
Our outlets come in a variety of sizes that offer different ranges of extensions. To find the size that works for you, first measure your cabinet.



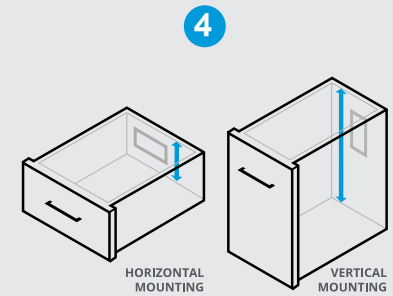
1 Start your project by measuring the cabinet's depth.



2 Measure the drawer box width (OD).



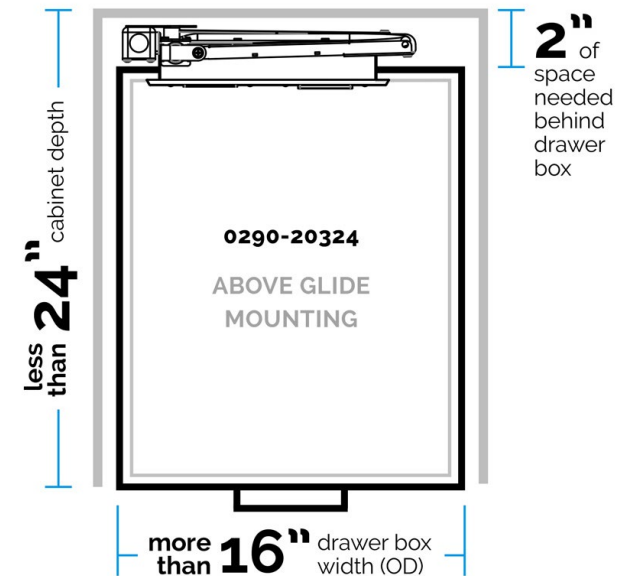
3 Then measure space available behind the drawer box.



4 Then measure the interior drawer box height.

Horizontal Mounting Cabinet Specifications

1 Cabinet Depth	24" or less (635mm or less)
2 Minimum Drawer Box Width (OD)	16" or more (406mm or more) if drawer box height is more than 5.25" (133mm) 17.75" or more (451mm or more) if drawer box height is more than 4" (102mm)
3 Minimum space behind drawer box	2" or more (51mm or more)
4 Minimum interior drawer box height	4-5.25" (102-133mm)

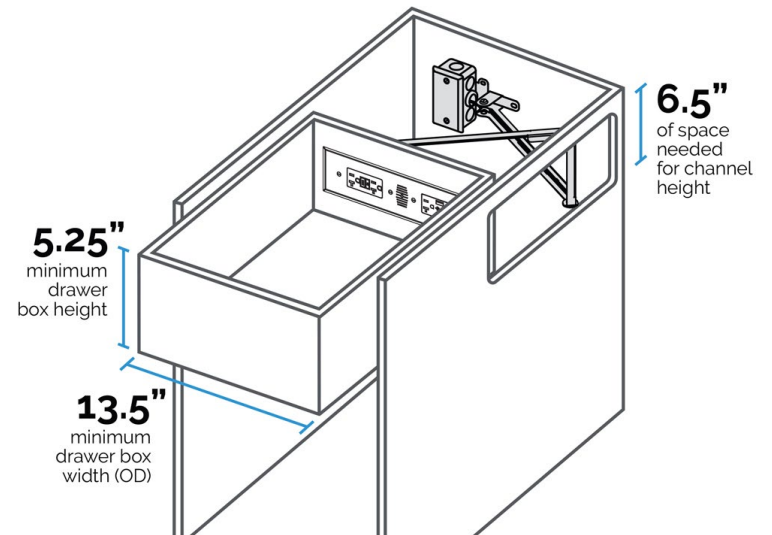
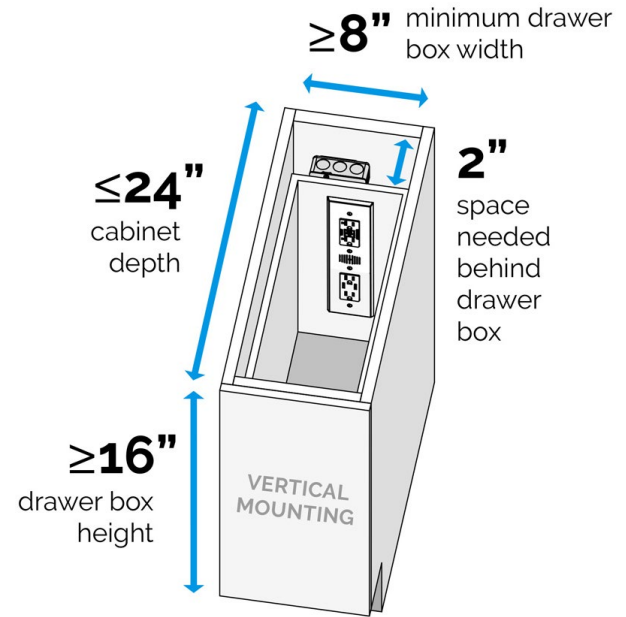


Have a narrow drawer or want to mount the outlet vertically?
Our modified cabinet specs are on the [next page](#).

Style Drawer 24 Blade Duo part #: 0290-20324

Vertical Mounting Cabinet Specifications	
Cabinet Depth	24" or less (635mm or less)
Minimum Drawer Box Width (OD)	8" or more (203mm)
Minimum space behind drawer box	2" or more (51mm)
Minimum interior drawer box height	16" or more (406mm or more)

Narrow Drawer Cabinet Specifications	
Cabinet Depth	24" or less (635mm or less)
Minimum Drawer Box Width (OD)	13.5" (343mm)
Minimum space behind drawer box	2" (51mm)
Minimum interior drawer box height	5.25" (133mm)
Minimum space needed for channel height	6.5" (165mm)

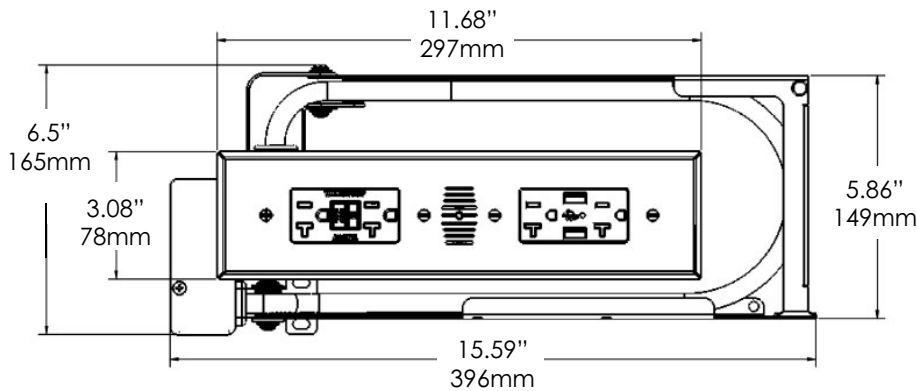


Style Drawer 24 Blade Duo part #: 0290-20324

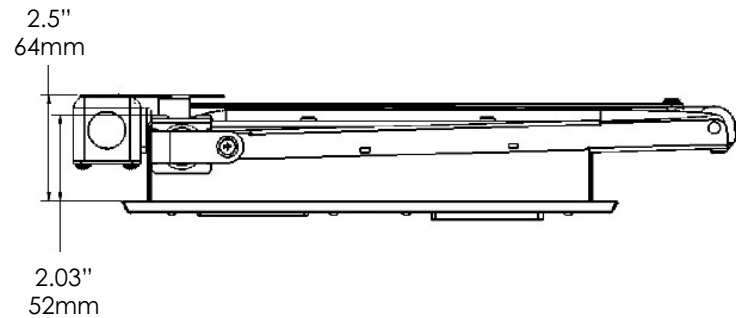
In-Drawer Outlet Dimensions

Outlet Width	15.59" (396mm)
Outlet Height	6.5" (165mm)
Outlet Depth	2.5" (64mm)
Receptacle Box Depth	2.03" (52mm)
Cover Plate Height	3.08" (78mm)
Cover Plate Width	11.68" (297mm)

Front View



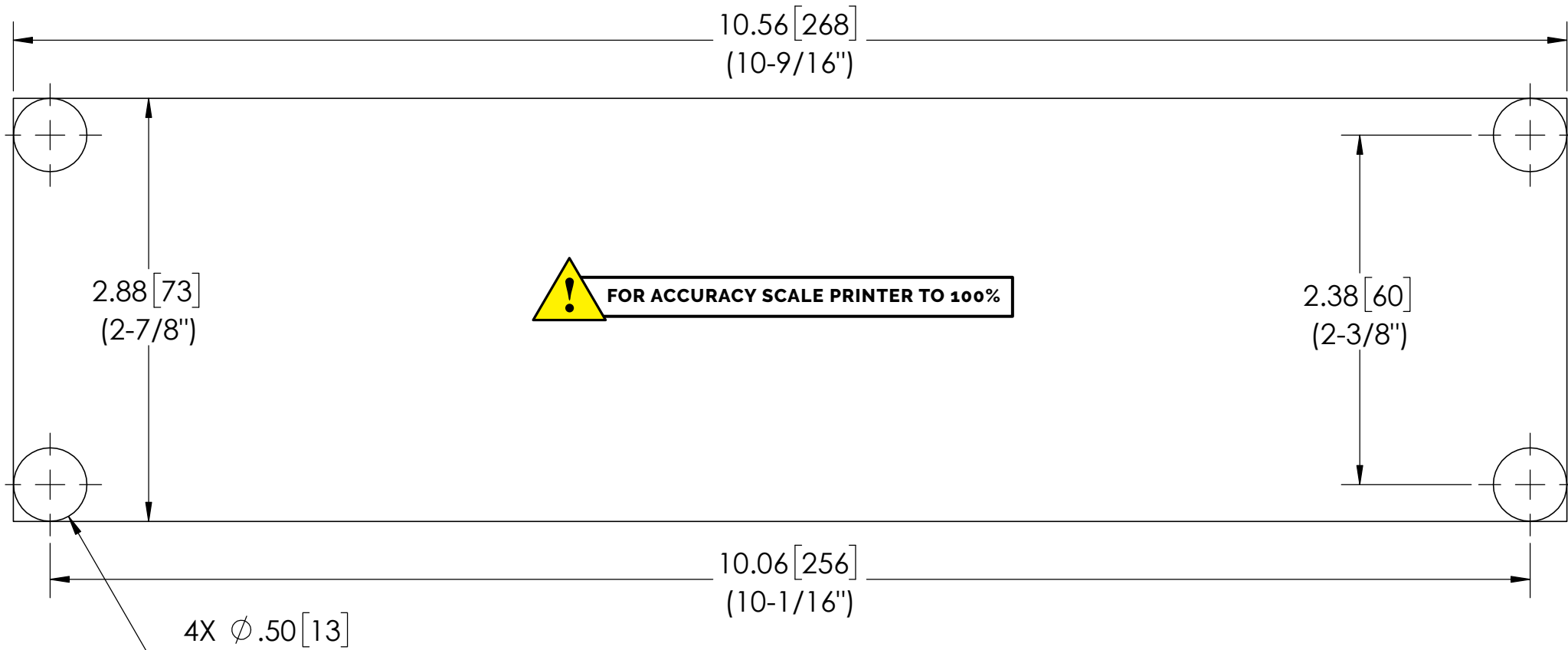
Top View



Style Drawer 24 Blade Duo part #: 0290-20324

Cutout Template

Use the following cutout template for the receptacle box cutout on the back of your drawer box. For additional installation instructions, please reference the [Style Drawer Blade Duo Installation Manual](#).



Measurements shown in:
inches [mm]
(inches fractional)

Style Drawer 24 Blade Duo part #: 0290-20324

Electrical Planning Guide (Overview)

Style Drawer Blade Duo Powering Outlets are ETL & CSA Listed and comply with UL 962a when installed in accordance to the outlet's installation instructions. The following is a guide designed to provide steps for roughing-in an electrical supply for your outlet installation. Please also review the specific installation instructions for each outlet.

A licensed electrician needs to supply all electrical rough-ins to local building codes for your installation. All powering outlets come with 20A tamper proof outlets and require a 20 amp circuit. All wiring inside of a cabinet must be MC Cable.

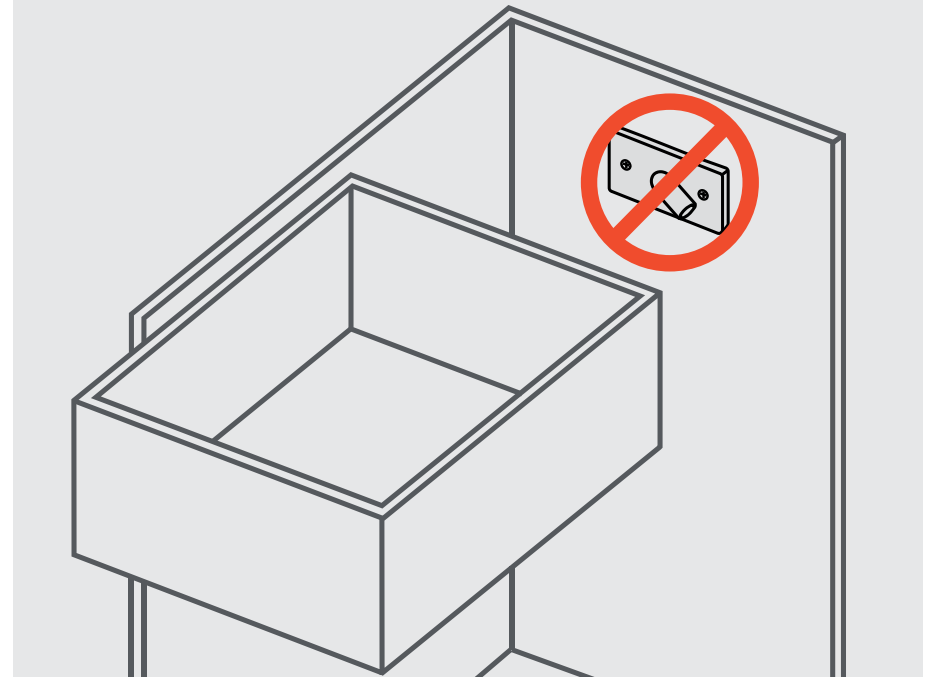


Need to Access our Electrical Certifications?

All of our electrical listing can be found [online in our Support Library](#).

Where NOT to Locate the In-Cabinet Electrical Supply

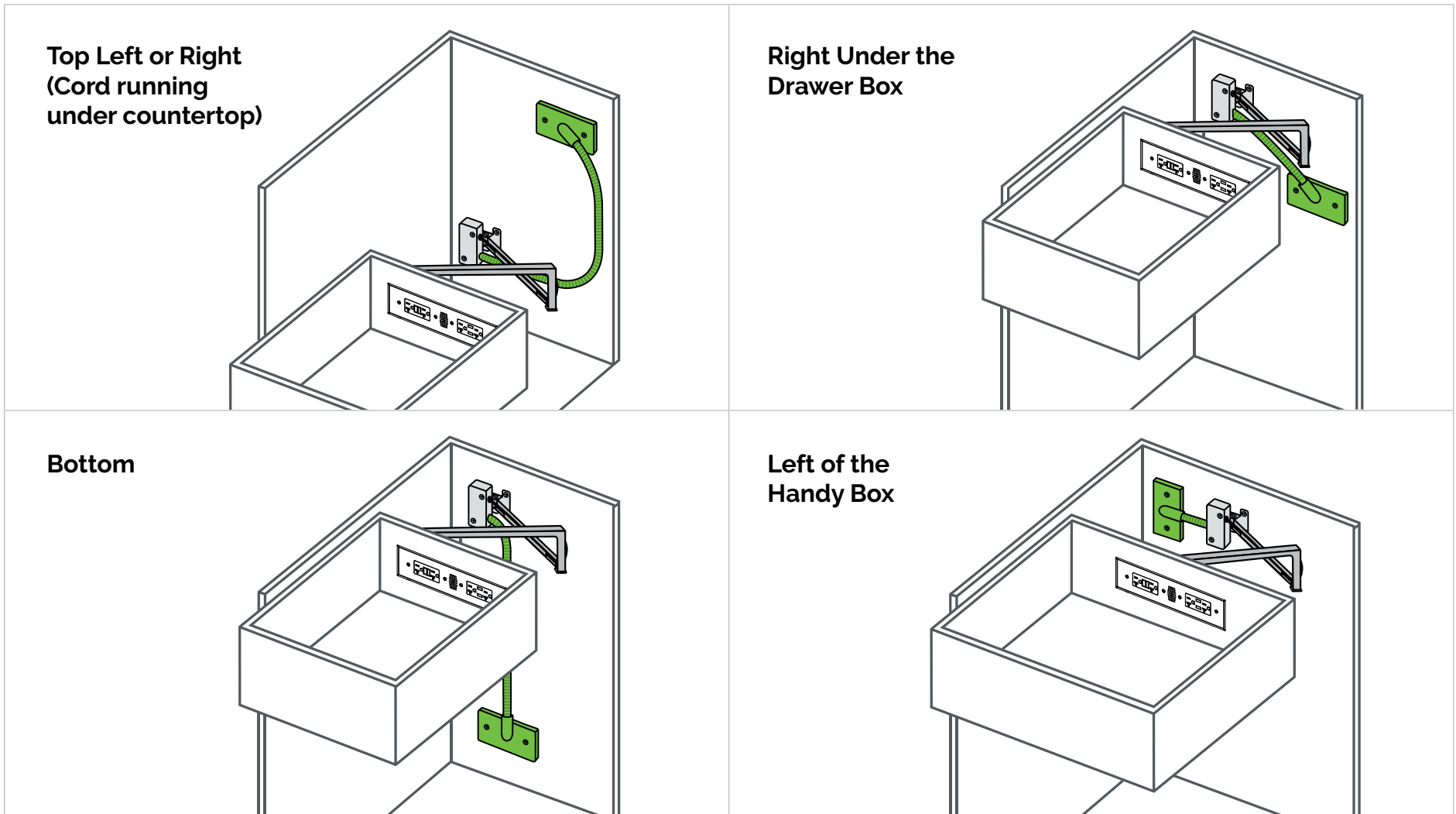
One location that we caution is directly behind the drawer where the outlet is being installed. If this location is utilized, you must ensure that the in-cabinet outlet and wiring do not interfere with the Docking Drawer cable management arms or drawer slides.



Style Drawer 24 Blade Duo part #: 0290-20324

Electrical Planning Guide (Making the Electrical Connection)

Making the Electrical Connection from the In-Cabinet Outlet to the In-Drawer Outlet



*Items marked in green are not included

Style Drawer 24 Blade Duo part #: 0290-20324-I, 0290-20324-UI and 0290-20324-UC-I

Electrical Planning Guide (Interlock Box)

Style Drawer Interlock Box

What Does it Do?

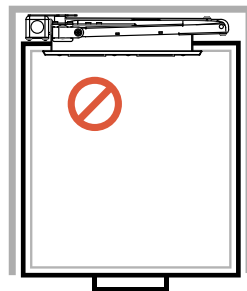
The Interlock Box serves as a safety interlock which de-energizes the outlet when the drawer starts to close.

The micro switch detects the position of the drawer box causing the Style Drawer Blade Duo Interlock Box to de-energize the outlet when the drawer starts to close. And as with all our products, this low voltage switch has been extensively cycle tested to ensure trouble-free use.

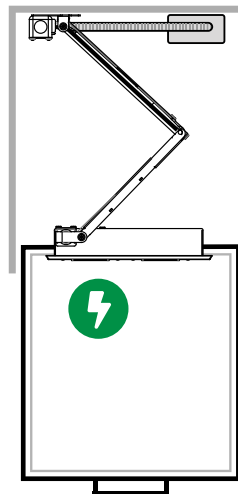
For our customers in the United States and Mexico, the Style Drawer Interlock Box is not required to pass electrical inspections; however, it can be used to provide an additional level of safety.

For our Canadian customers, the Style Drawer Interlock Box satisfies the requirements listed in section 26-710 of the Canadian Electrical Code (CEC) that stipulates the outlet is de-energized when a drawer is closed. Style Drawer Blade Duo outlets with Interlock Box are CSA Listed for installation in Canada.

Outlet De-energized



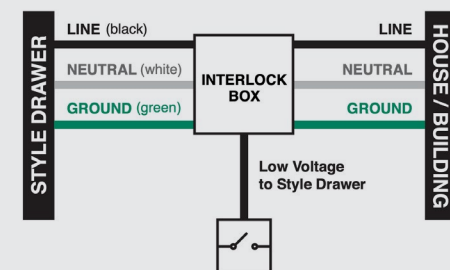
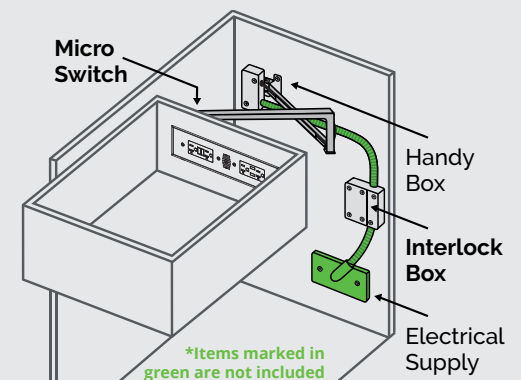
Outlet Energized



Installation

The Style Drawer Interlock Box is easily installed between the cabinet's electrical supply and the Style Drawer Blade Duo handy box.

For additional instructions, please reference our [Style Drawer Interlock Box installation manual](#).



Style Drawer 24 Blade Duo part #: 0290-20324

Additional Resources



DXF & Step Files

<https://bit.ly/3dnFMKo>



Installation Manual

<https://bit.ly/3eqZyFT>



Electrical Certifications

<https://bit.ly/3dn1L3X>

We're Here to Help

sales@dockingdrawer.com

Email us here with your sales questions, help selecting the right outlet or to request any literature.



support@dockingdrawer.com

Email us here with your technical and project planning questions or any other specification questions.



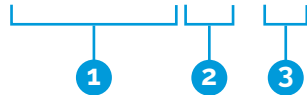
Style Drawer 21 Blade Duo

part #: 0290-20321

Style Drawer 21 Blade Duo

Understanding Docking Drawer Part Numbers

0290-20321W-U



Outlet Size Finish Configuration

1 Outlet Size

20324 - Style Drawer
24 Blade Duo

20321 - Style Drawer
21 Blade Duo

2 Finish

- Black

W - White

S - Stainless Steel

3 Configuration

- 2 AC - GFCI, 2 AC & 2 USB-A

U - 4 AC & 4 USB-A

UC - 2 AC - GFCI, 2 AC & 2 USB-C

I - 2 AC - GFCI, 2 AC & 2 USB-A with Interlock Box

UI - 4 AC & 4 USB-A with Interlock Box

UC-I - 2 AC - GFCI, 2 AC & 2 USB-C with Interlock Box

Style Drawer 21 Blade Duo Part Numbers



2 AC - GFCI, 2 AC & 2 USB-A

0290-20321



2 AC - GFCI 2 AC & 2 USB-A with Interlock Box

0290-20321-I



4 AC & 4 USB-A

0290-20321-U



4 AC & 4 USB-A with Interlock Box

0290-20321-UI



2 AC - GFCI, 2 AC & 2 USB-C

0290-20321-UC



2 AC - GFCI, 2 AC & 2 USB-C with Interlock Box

0290-20321-UC-I

Style Drawer 21 Blade Duo part #: 0290-20321

Available Finishes



Style Drawer 21 Blade Duo part #: 0290-20321

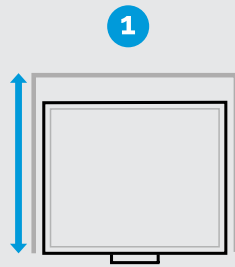
Features	
Electrical Listing	<u>ETL Listed</u> , <u>CSA Listed</u> with <u>Interlock Box</u>
Country of Use	Certified for use in the U.S., Certified for use in Canada with Interlock Box
Interlocking Safety Features	Interlock Thermostat - De-energizes outlet when the temperature exceeds 120°F (49°C) Interlock Box - Microswitch de-energizes outlet when the drawer starts to close
Electrical Connection	Hardwired
Cable Protection	Ultra flexible cable jacket and cable strain reliefs prevent tension and wear
Available Outlet Finishes	White, Black or Stainless Steel
Warranty	2 Years
Country of Origin	Made in Mexico

Outlet Specifications	
Tamper Resistant	Yes
2 AC GFCI	2 AC: 20 amps @ 120 VAC
2 AC & 2 USB-A	2AC: 20 amps @ 120 VAC USB: 3.6 amps @ 5 VDC
2 AC & 2 USB-C	2AC: 20 amps @ 120 VAC USB-C (PD Device): 3 amps @ 9 VDC USB-C (Non-PD Device): 3 amps @ 5 VDC

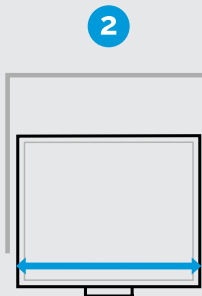
Style Drawer 21 Blade Duo part #: 0290-20321

Will it Fit in My Cabinet?

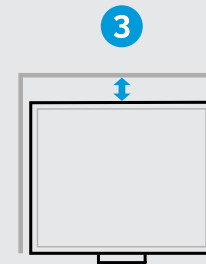
Our outlets come in a variety of sizes that offer different ranges of extensions. To find the size that works for you, first measure your cabinet.



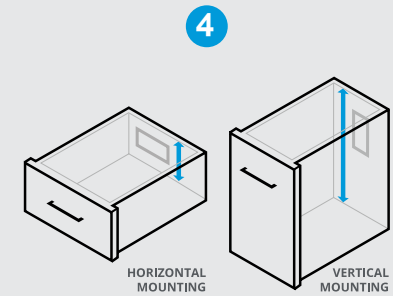
1 Start your project by measuring the cabinet's depth.



2 Measure the drawer box width (OD).



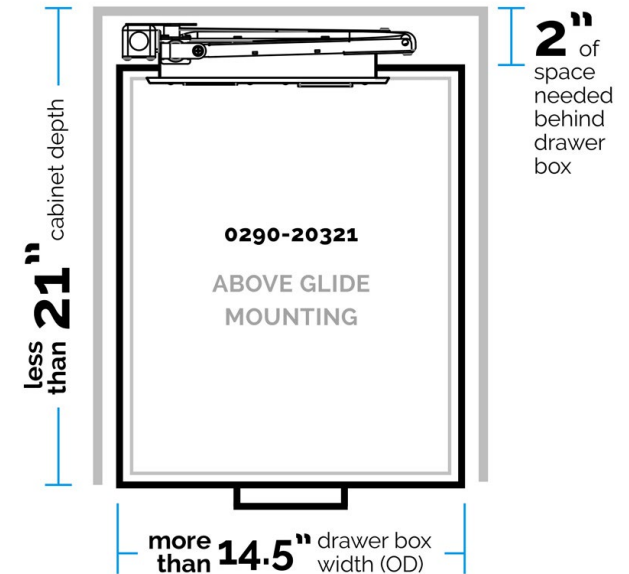
3 Then measure space available behind the drawer box.



4 Then measure the interior drawer box height.

Horizontal Mounting Cabinet Specifications

1 Cabinet Depth	21" or less (533mm or less)
2 Minimum Drawer Box Width (OD)	14.5" or more (368mm or more) if drawer box height is more than 5.25" (133mm) 16.25" or more (413mm or more) if drawer box height is more than 4" (102mm)
3 Minimum space behind drawer box	2" or more (51mm or more)
4 Minimum interior drawer box height	4-5.25" (102-133mm)

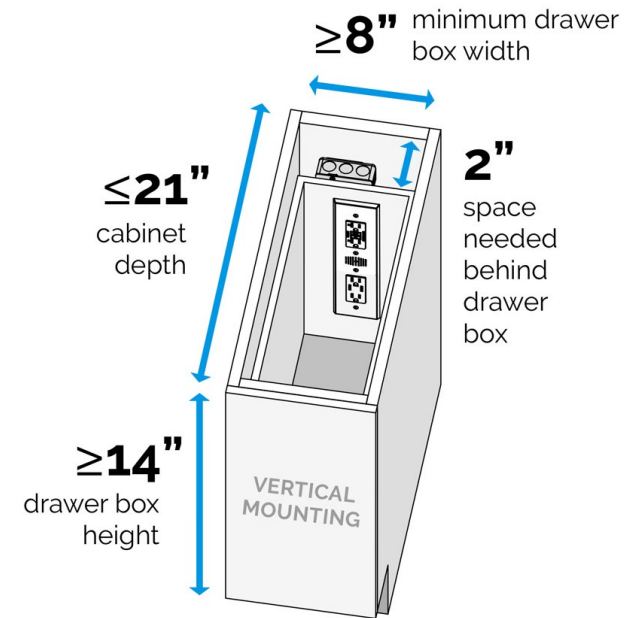


Have a narrow drawer or want to mount the outlet vertically?

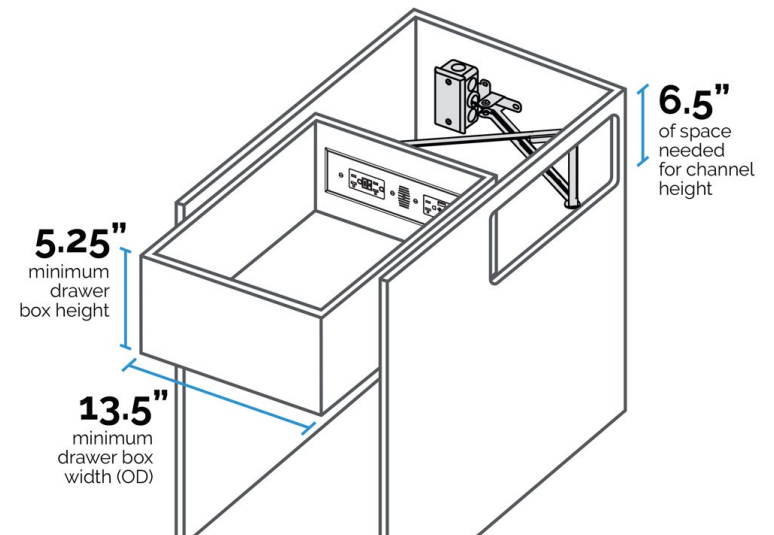
Our modified cabinet specs are on the [next page](#).

Style Drawer 21 Blade Duo part #: 0290-20321

Vertical Mounting Cabinet Specifications	
Cabinet Depth	21" or less (533mm or less)
Minimum Drawer Box Width (OD)	8" or more (203mm)
Minimum space behind drawer box	2" or more (51mm)
Minimum interior drawer box height	14.5" or more (368mm or more)



Narrow Drawer Cabinet Specifications	
Cabinet Depth	21" or less (533mm or less)
Minimum Drawer Box Width (OD)	13.5" (343mm)
Minimum space behind drawer box	2" (51mm)
Minimum interior drawer box height	5.25" (133mm)
Minimum space needed for channel height	6.5" (165mm)

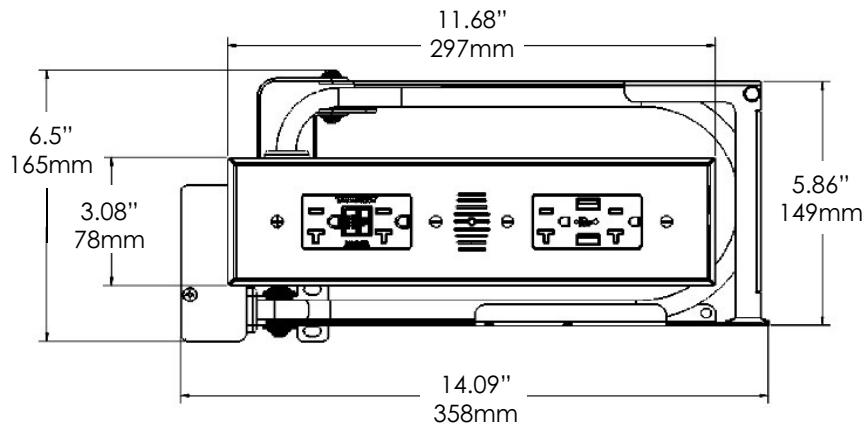


Style Drawer 21 Blade Duo part #: 0290-20321

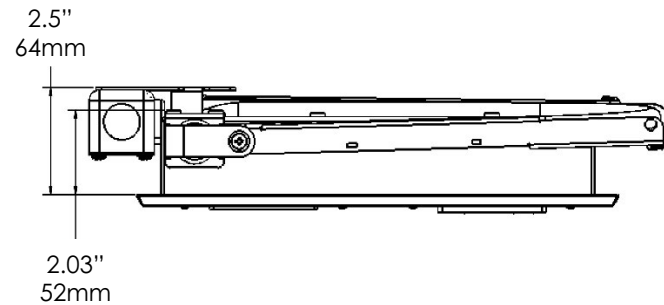
In-Drawer Outlet Dimensions

Outlet Width	14.09" (358mm)
Outlet Height	6.5" (165mm)
Outlet Depth	2.5" (64mm)
Receptacle Box Depth	2.03" (52mm)
Cover Plate Height	3.08" (78mm)
Cover Plate Width	11.68" (297mm)

Front View



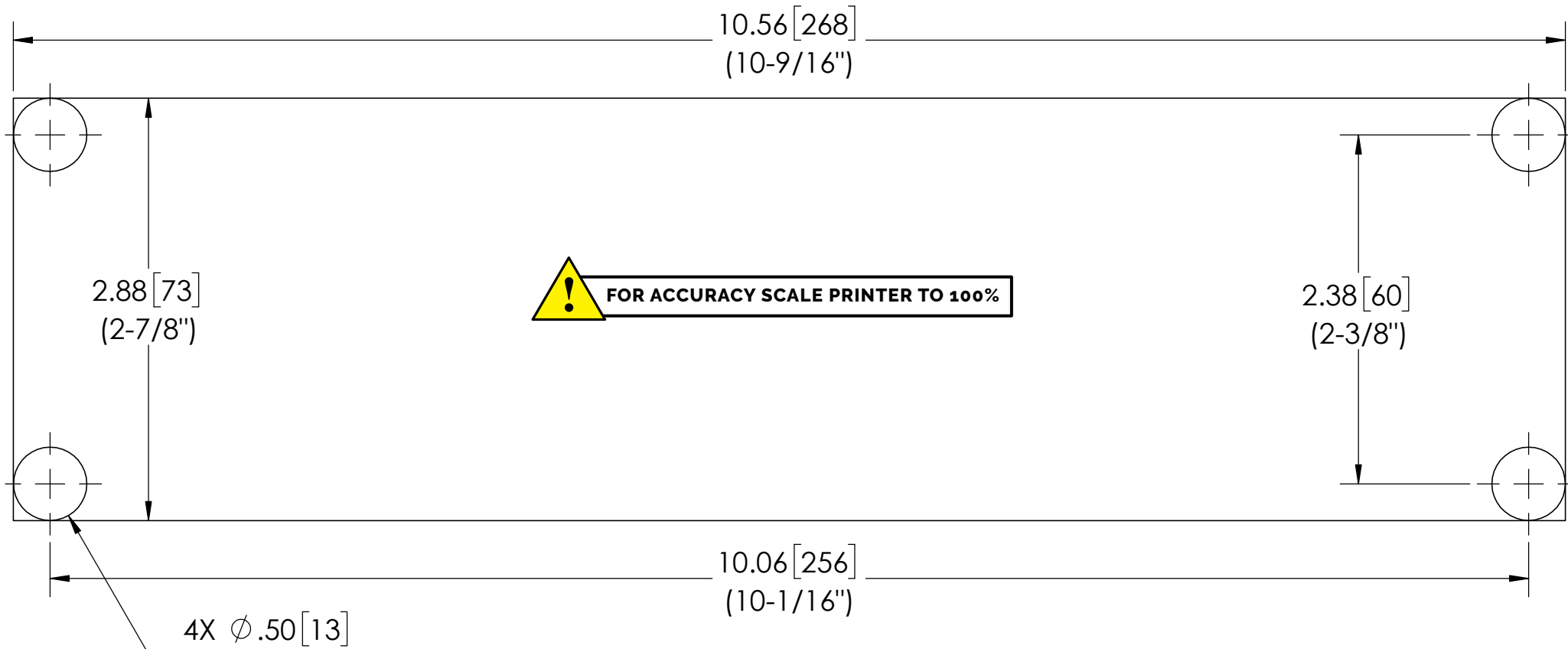
Top View



Style Drawer 21 Blade Duo part #: 0290-20321

Cutout Template

Use the following cutout template for the receptacle box cutout on the back of your drawer box. For additional installation instructions, please reference the [Style Drawer Blade Duo Installation Manual](#).



Measurements shown in:
inches [mm]
(inches fractional)

Style Drawer 21 Blade Duo part #: 0290-20321

Electrical Planning Guide (Overview)

Style Drawer Blade Duo Powering Outlets are ETL & CSA Listed and comply with UL 962a when installed in accordance to the outlet's installation instructions. The following is a guide designed to provide steps for roughing-in an electrical supply for your outlet installation. Please also review the specific [installation instructions](#) for each outlet.

A licensed electrician needs to supply all electrical rough-ins to local building codes for your installation. All powering outlets come with 20A tamper proof outlets and require a 20 amp circuit. All wiring inside of a cabinet must be MC Cable.

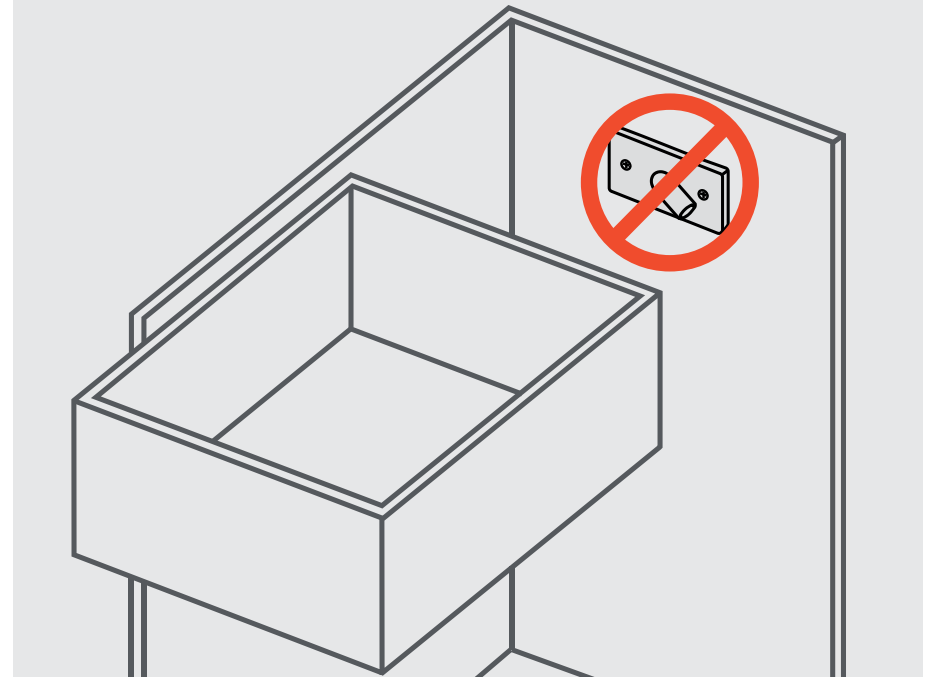


Need to Access our Electrical Certifications?

All of our electrical listing can be found [online in our Support Library](#).

Where NOT to Locate the In-Cabinet Electrical Supply

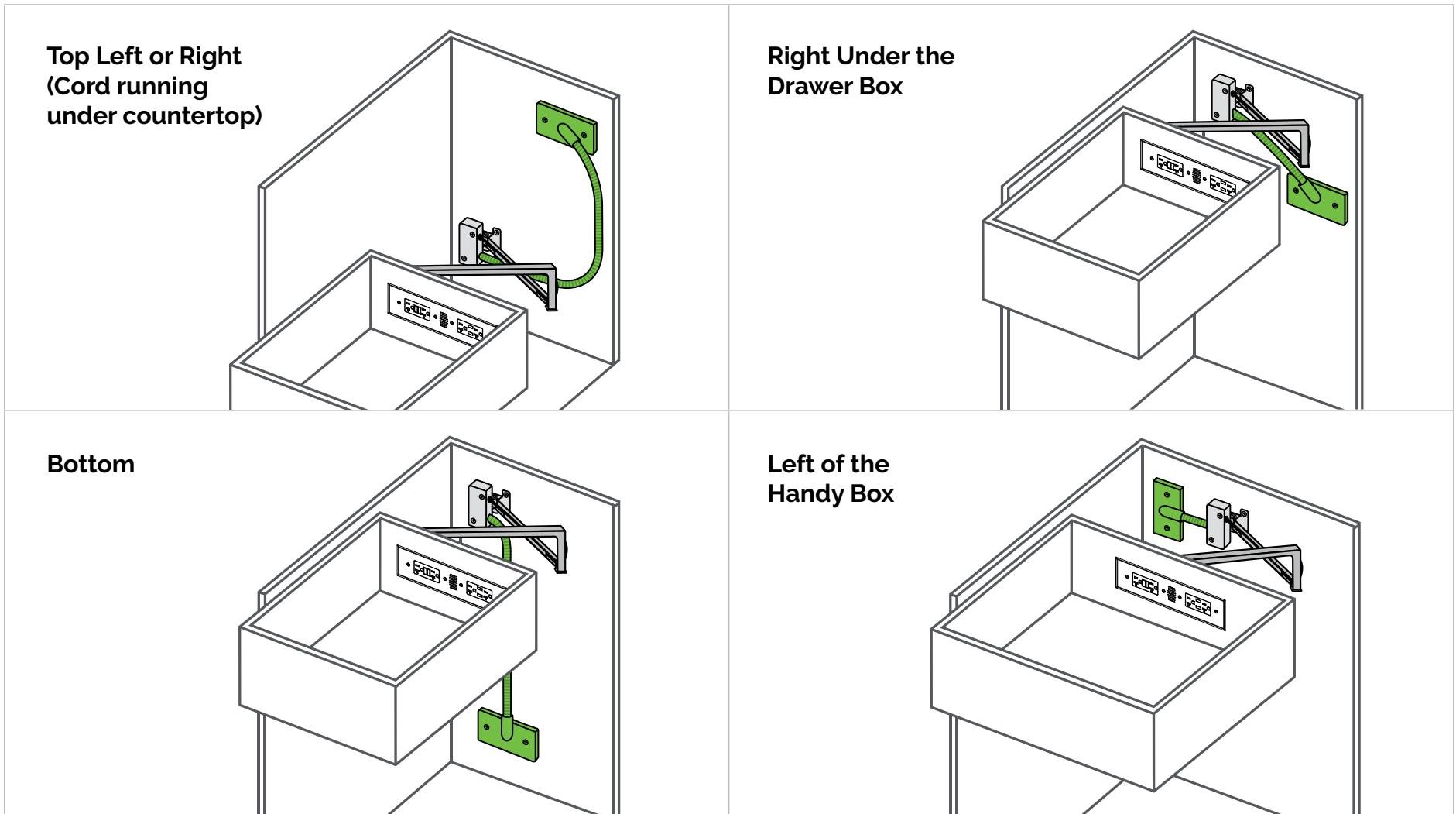
One location that we caution is directly behind the drawer where the outlet is being installed. If this location is utilized, you must ensure that the in-cabinet outlet and wiring do not interfere with the Docking Drawer cable management arms or drawer slides.



Style Drawer 21 Blade Duo part #: 0290-20321

Electrical Planning Guide (Making the Electrical Connection)

Making the Electrical Connection from the In-Cabinet Outlet to the In-Drawer Outlet



*Items marked in green are not included

Style Drawer 21 Blade Duo part #: 0290-20321-I, 0290-20321-UI and 0290-20321-UC-I

Electrical Planning Guide (Interlock Box)

Style Drawer Interlock Box

What Does it Do?

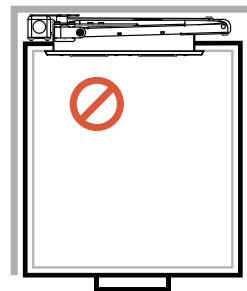
The Interlock Box serves as a safety interlock which de-energizes the outlet when the drawer starts to close.

The micro switch detects the position of the drawer box causing the Style Drawer Blade Duo Interlock Box to de-energize the outlet when the drawer starts to close. And as with all our products, this low voltage switch has been extensively cycle tested to ensure trouble-free use.

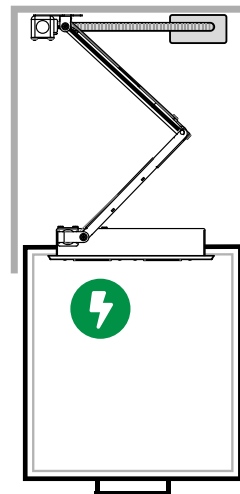
For our customers in the United States and Mexico, the Style Drawer Interlock Box is not required to pass electrical inspections; however, it can be used to provide an additional level of safety.

For our Canadian customers, the Style Drawer Interlock Box satisfies the requirements listed in section 26-710 of the Canadian Electrical Code (CEC) that stipulates the outlet is de-energized when a drawer is closed. Style Drawer Blade Duo outlets with Interlock Box are CSA Listed for installation in Canada.

Outlet De-energized



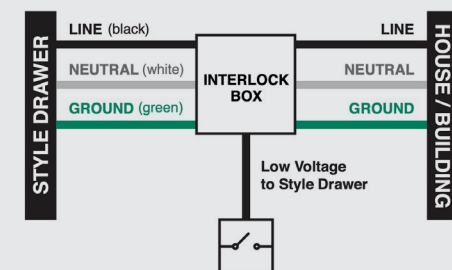
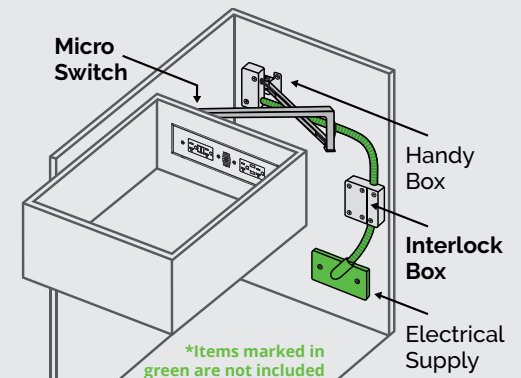
Outlet Energized



Installation

The Style Drawer Interlock Box is easily installed between the cabinet's electrical supply and the Style Drawer Blade Duo handy box.

For additional instructions, please reference our [Style Drawer Interlock Box installation manual](#).



Style Drawer 21 Blade Duo part #: 0290-20321

Additional Resources



DXF & Step Files

<https://bit.ly/3dnFMKo>



Installation Manual

<https://bit.ly/3eqZyFT>



Electrical Certifications

<https://bit.ly/3dn1L3X>

We're Here to Help

sales@dockingdrawer.com

Email us here with your sales questions, help selecting the right outlet or to request any literature.



support@dockingdrawer.com

Email us here with your technical and project planning questions or any other specification questions.